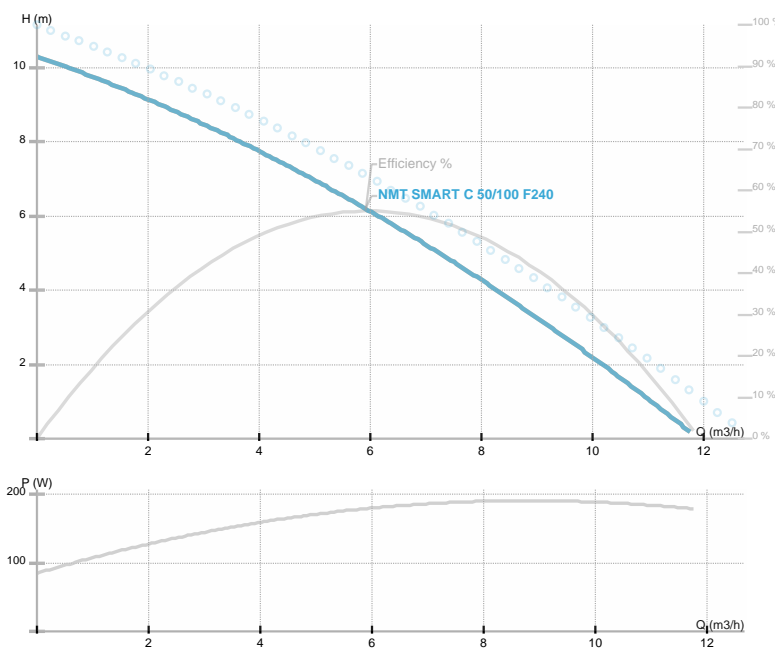




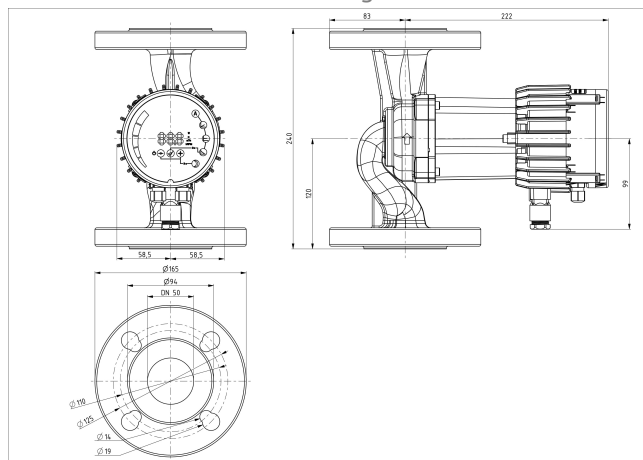
NMT SMART C 50/100 F240

NMT SMART C / Electronically regulated circulating pump - communication Heating



Part number	979523370
Power supply	1~230 V
Declared protection	IP44
Q max	11.83 [m³/h]
H max	10.53 [m]
RPM	4400 [1/min]
Motor power	180 [w]
Declared current	1.5 [A]
Fluid	Water VDI 2035, glycol 40%
Fluid temperature	-10.0 ÷ 110.0 [°C]
Insulation class	F
DN	50 [mm]
Connector	PN 6/10
Net weight	8.90 [kg]
Length	240 [mm]
Approvals	CE EAC
EEL	0.2
Efficiency	56.09 [%]
Impeller material	PES GF 30
Bearing material	Graphite
Shaft material	AISI 420
Hydraulics material	Gray cast iron
Mains frequency	50/60 Hz
Connection	PN 6/10
Max pressure	1.0 MPa
Ambient temp.range	40 deg C

Drawing



DN=50 h=240 a=82,5 l=190

Electrical wiring

