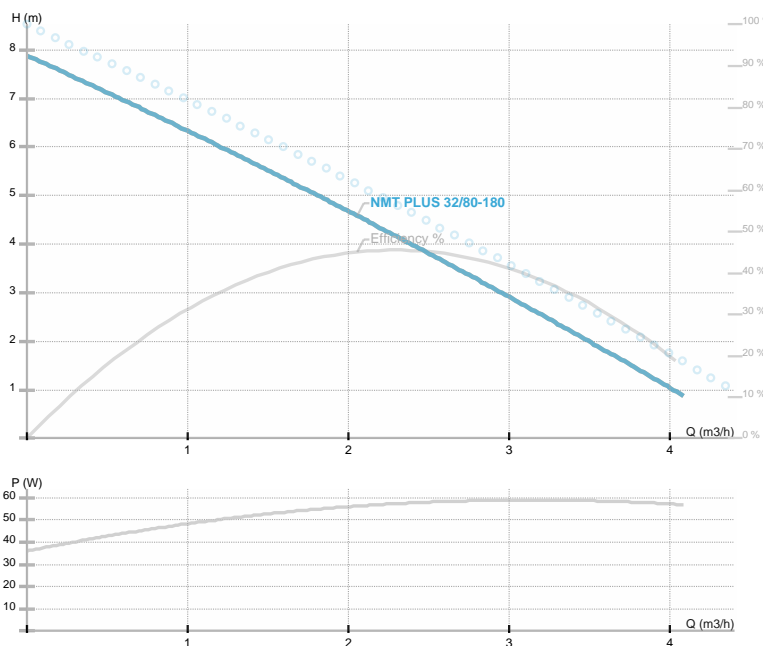




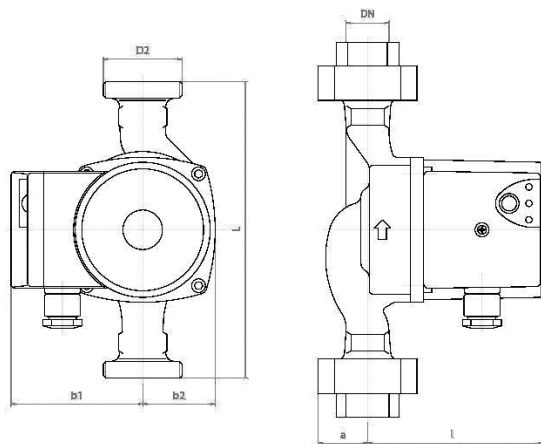
NMT PLUS 32/80-180

NMT PLUS / Electronically regulated circulating pump
 Heating, Climatisation



| | |
|---------------------|-----------------------------------|
| Part number | 979523857 |
| Power supply | 1~230 V |
| Declared protection | IP44 |
| Q max | 3.46 [m³/h] |
| H max | 7.66 [m] |
| RPM | 4800 [1/min] |
| Motor power | 57 [w] |
| Declared current | 0.5 [A] |
| Fluid | Water VDI 2035, glycol 40% |
| Fluid temperature | -10.0 ÷ 110.0 [°C] |
| Insulation class | F |
| DN | 32 [mm] |
| Connector | Rp 1¼ |
| Net weight | 2.49 [kg] |
| Length | 180 [mm] |
| Approvals | CE EAC |
| EEI | 0.2 |
| Efficiency | 36.09 [%] |
| Impeller material | Noryl 1630V |
| Bearing material | Ceramics |
| Shaft material | Ceramics |
| Hydraulics material | Gray cast iron |
| Mains frequency | 50 Hz |
| Connection | Rp 1¼ |
| Max pressure | 1.0 MPa |
| Ambient temp.range | 40 deg C |

Drawing



L=180 DN=32 b1=80 b2=48 l=108 a=40 D2=2

Electrical wiring

