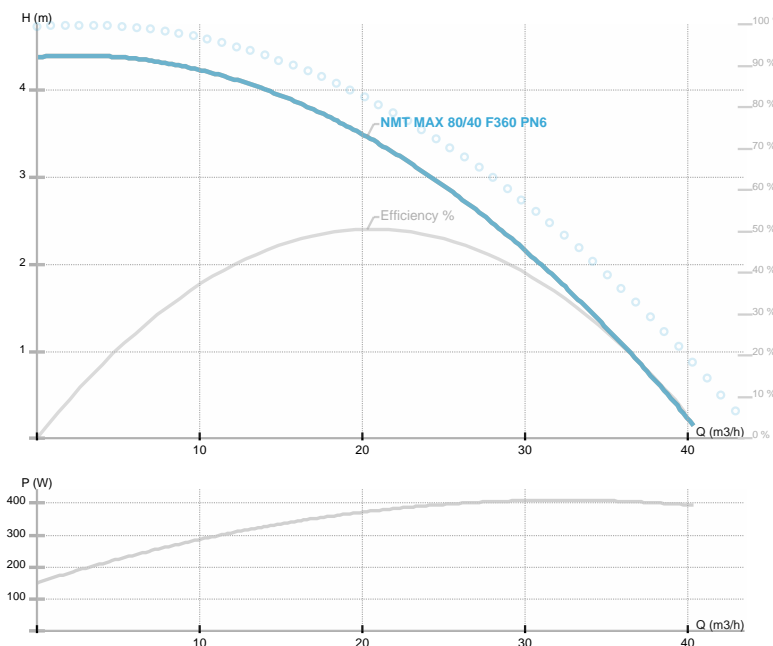




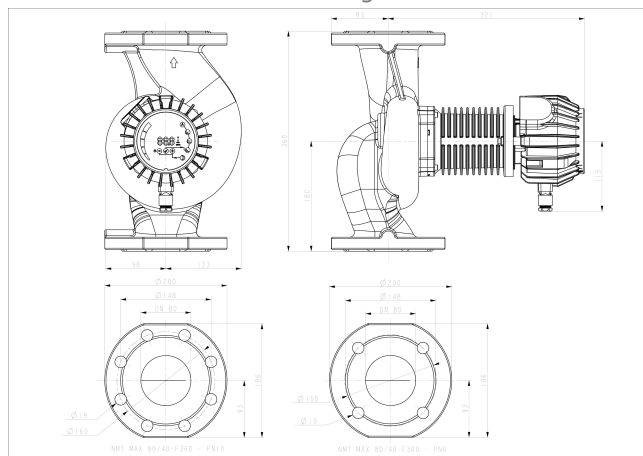
NMT MAX 80/40 F360 PN6

NMT MAX F/ Electronically regulated circulating pump
 Heating



Part number	979524774
Power supply	1~230 V
Declared protection	IP44
Q max	40.6 [m³/h]
H max	4.38 [m]
RPM	2100 [1/min]
Motor power	370 [w]
Declared current	1.8 [A]
Fluid	Water VDI 2035, glycol 40%
Fluid temperature	-10.0 ÷ 110.0 [°C]
Insulation class	H
DN	80 [mm]
Connector	PN6
Net weight	22.40 [kg]
Length	360 [mm]
Approvals	CE EAC
EEI	0.2
Efficiency	51.04 [%]
Impeller material	PES GF 30
Bearing material	Graphite
Shaft material	AISI 420
Hydraulics material	Gray cast iron
Mains frequency	50/60 Hz
Connection	PN6
Max pressure	1.0 MPa
Ambient temp.range	40 deg C

Drawing



Electrical wiring

