



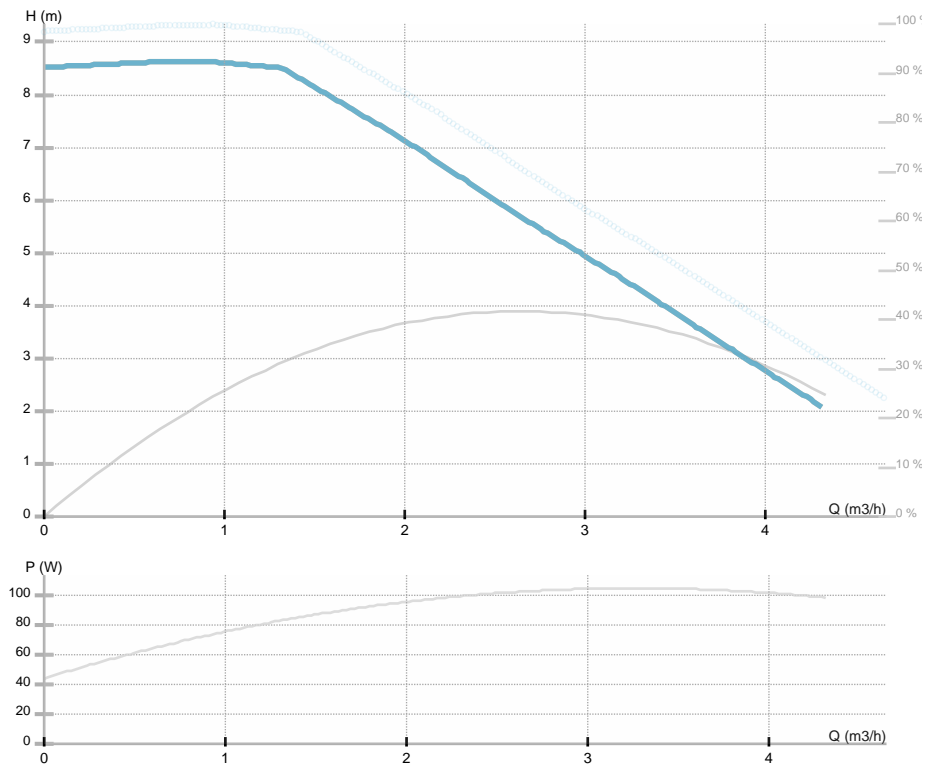
NMTD PLUS 32/90-180

979525238

 NMTD PLUS / Electronically regulated double circulation pumps
 Heating/cooling

GENERAL

Part number	979525238		
Part name	NMTD PLUS 32/90-180		
Seal type	EEl		0.23
Net weight	5.20 [kg]		
H max	8.52 [m]	H min	0.0 [m]
Q max	4.5 [m3/h]	Q min	0.0 [m3/h]
	42 [%]		
Noise	≤43 dB(A)		



ELECTRICAL DATA

Power supply	1~230 V
Mains frequency	50 Hz
Motor power	100 [w]
RPM	5000 [1/min]
Insulation class	F
Declared current	0.5 [A]
Declared protection	IP44
Thermal protection	
Frame size	
Motor IE class	

INSTALLATION

Fluid	Water VDI 2035, glycol 40%
Fluid temperature	-10.0 ÷ 110.0 [°C]
Ambient temp.range	40 deg C
Length	180 [mm]
DN	32 [mm]
Connector	G 2
Connection	G 2
Max pressure	1.0 MPa

MATERIAL

Bearing material	Ceramics
Impeller material	Noryl 1630V
Hydraulics material	Gray cast iron
Shaft material	Ceramics

NMTD PLUS 32/90-180

979525238

NMTD PLUS / Electronically regulated double circulation pumps

Heating/cooling



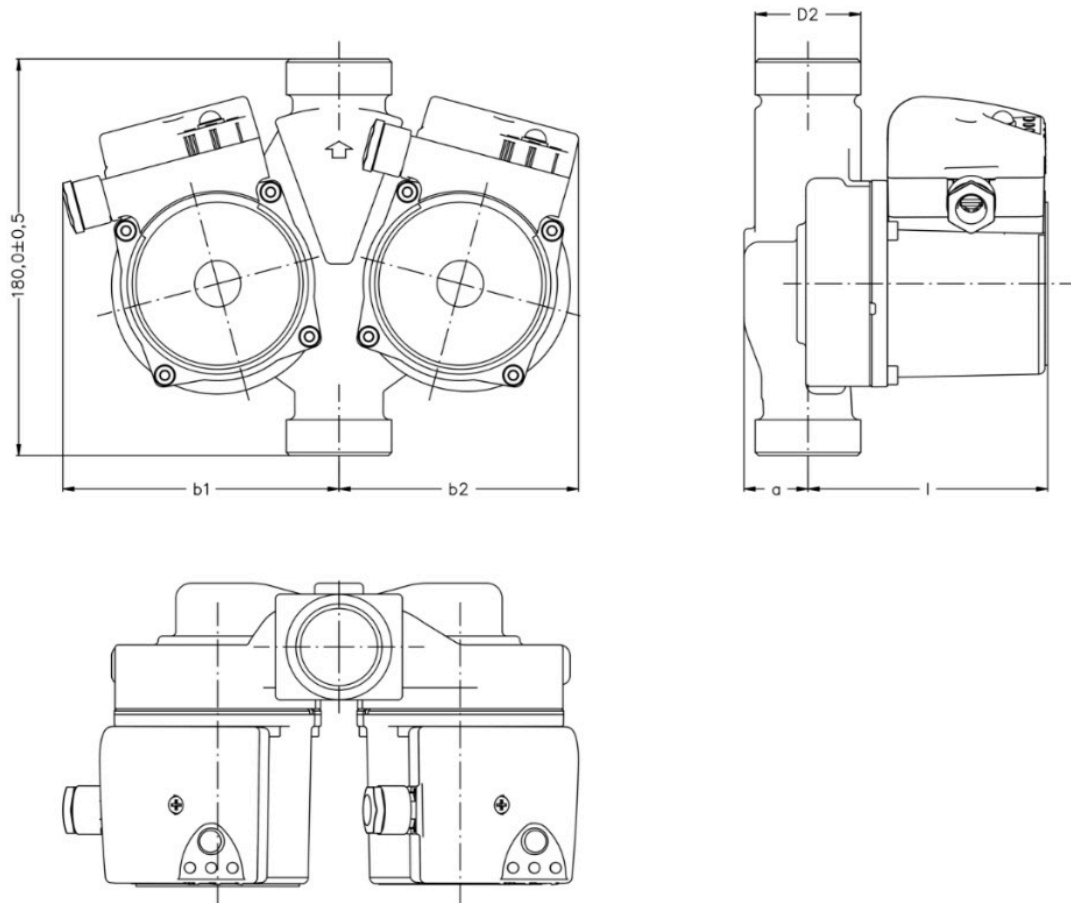


NMTD PLUS 32/90-180

979525238

NMTD PLUS / Electronically regulated double circulation pumps
Heating/cooling

Dimension drawing



L=180 DN=32 b1=125 b2=108 l=108 a=29 D2=2

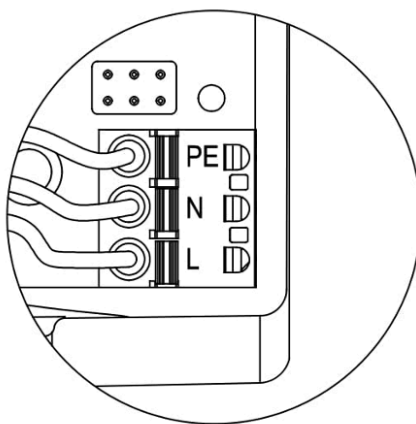


NMTD PLUS 32/90-180

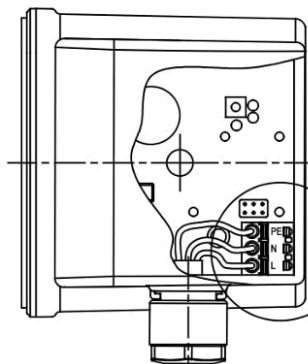
979525238

NMTD PLUS / Electronically regulated double circulation pumps
Heating/cooling

Electrical wiring



NMT PLUS



~230V
50(60Hz)



NMTD PLUS 32/90-180

979525238

NMTD PLUS / Electronically regulated double circulation pumps
Heating/cooling