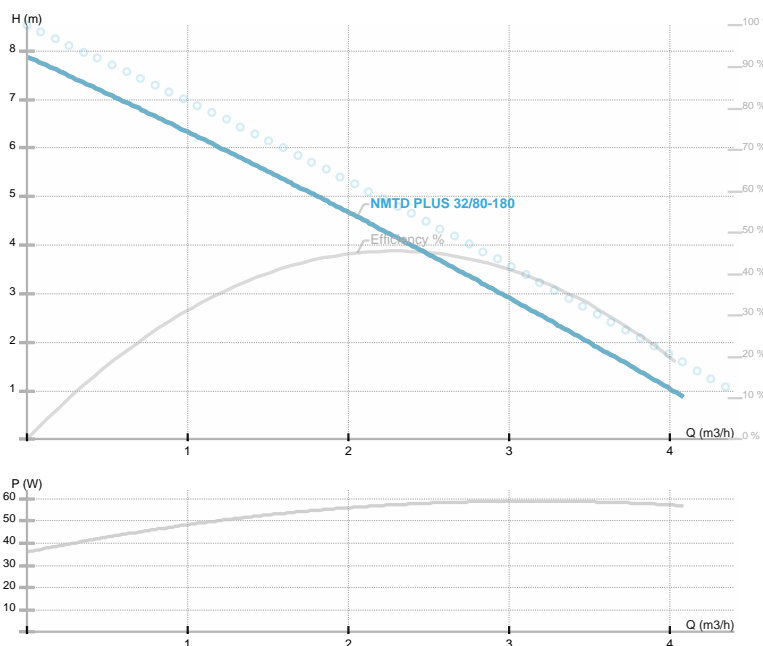




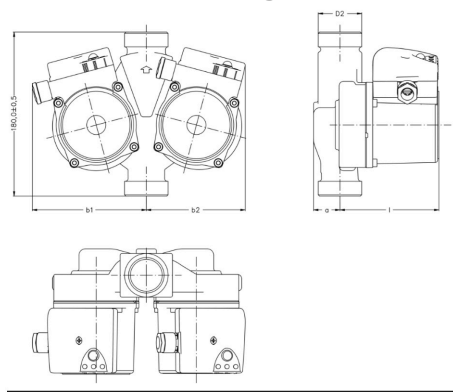
NMTD PLUS 32/80-180

NMT PLUS / Electronically regulated circulating pump
 Heating, Climatisation



Part number	979523942
Power supply	1~230 V
Declared protection	IP44
Q max	3.46 [m³/h]
H max	7.66 [m]
RPM	4800 [1/min]
Motor power	57 [w]
Declared current	0.5 [A]
Fluid	Water VDI 2035, glycol 40%
Fluid temperature	-10.0 ÷ 110.0 [°C]
Insulation class	F
DN	32 [mm]
Connector	Rp 1¼
Net weight	5.20 [kg]
Length	180 [mm]
Approvals	CE EAC
EEL	0.19
Efficiency	36.09 [%]
Impeller material	Noryl 1630V
Bearing material	Ceramics
Shaft material	Ceramics
Hydraulics material	Gray cast iron
Mains frequency	50 Hz
Connection	Rp 1¼
Max pressure	1.0 MPa
Ambient temp.range	40 deg C

Drawing



L=180 DN=32 b1=125 b2=108 l=108 a=29 D2=2

Electrical wiring

